

RW-F10.6



◆ Safer

Cobalt Free Lithium Iron Phosphate (LFP) Battery, safety and long lifespan and high-energy density. Low Voltage safety connection.

◆ High performance

Maximum support 1C charge and 1.2C discharge.

Maximum 6000 cycles at 90% DOD, and 10 years standard warranty.

◆ Reliable

Built-in Intelligent BMS, providing complete protection. Natural cooling, IP20, wide temperature range: -20°C to 55°C.

◆ Flexible

Modular design, easy to expand, Max. 32 units in parallel, Max. capacity of 340kWh. Suited to residential and commercial applications for increasing the self-consumption ratio.

◆ Convenient

Battery module auto networking(No DIP switch code), easy maintenance, support Deye remotely monitoring and upgrade.

◆ Eco-Friendly

Use environmental protection materials, the whole module non-toxic, pollution-free.

◆ Two Mounting Methods

Flat design, Wall-mounted with Wall Bracket, Floor Stand with removable base, saving installation space.

Deye

Stock Code: 605117.SH

Model		RW-F10.6
Main Parameter		
Battery Chemistry	LiFePO ₄	
Built-in Circuit Breaker	125A 2P, 60Vdc	
Capacity (Ah)	208	
Scalability	Max. 32 pcs pack (Max.340kWh) in parallel	
Nominal Voltage (V)	51.2	
Operating Voltage(V)	43.2 ~ 57.6	
Nominal Energy (kWh)	10.64	
Usable Energy (kWh) ^[1]	9.58	
Charge/Discharge Current (A) ^[2]	Recommend	Charge: 104 / Discharge: 104
	Max.	Charge: 200 / Discharge: 240
	Peak(25°C)	300(2mins)
Other Parameter		
Recommend Depth of Discharge	90%	
Dimension (W/H/D, mm)	600*750*200(Without hanging board)	
Weight Approximate(kg)	99	
Master LED Indicator	LED(SOC:20%~SOC100% and working state)	
IP Rating of Enclosure	IP20	
Operating Temperature	Charge: 1~53°C / Discharge: -20°C~53°C	
Recommend Operating Temperature	15°C ~ 35°C	
Storage Temperature	0°C~35°C	
Humidity	5%~95%	
Altitude	≤3000m	
Cycle Life	≥6000(25°C±2°C,0.5C/1C,90%DOD,70%EOL)	
Installation	Wall-Mounted, Floor-Mounted	
Communication Port	CAN2.0, RS485	
Warranty Period ^[3]	10 years	
Energy Throughput	32MWh(25°C, 0.5C/1C, 70%EOL)	
Certification	UN38.3, MSDS,CE,CB	

[1] DC Usable Energy, test conditions: 90% DOD, 0.5C charge & discharge at 25°C. System usable energy may vary due to system configuration parameters.

[2] The current is affected by temperature and SOC.

[3] Conditions apply, refer to Deye Warranty Letter.

Introduction

This series lithium iron phosphate battery is one of new energy storage products developed and produced by Deye, it can be used to support reliable power for various types of equipment and systems.

This series is especially suitable for application scene of high power, limited installation space, restricted load-bearing and long cycle life.

This series has built-in BMS battery management system, which can manage and monitor cells information including voltage, current and temperature. What's more, BMS can balance cells charging to extend cycle life. Multiple batteries can connect in parallel for larger capacity and longer power supporting.

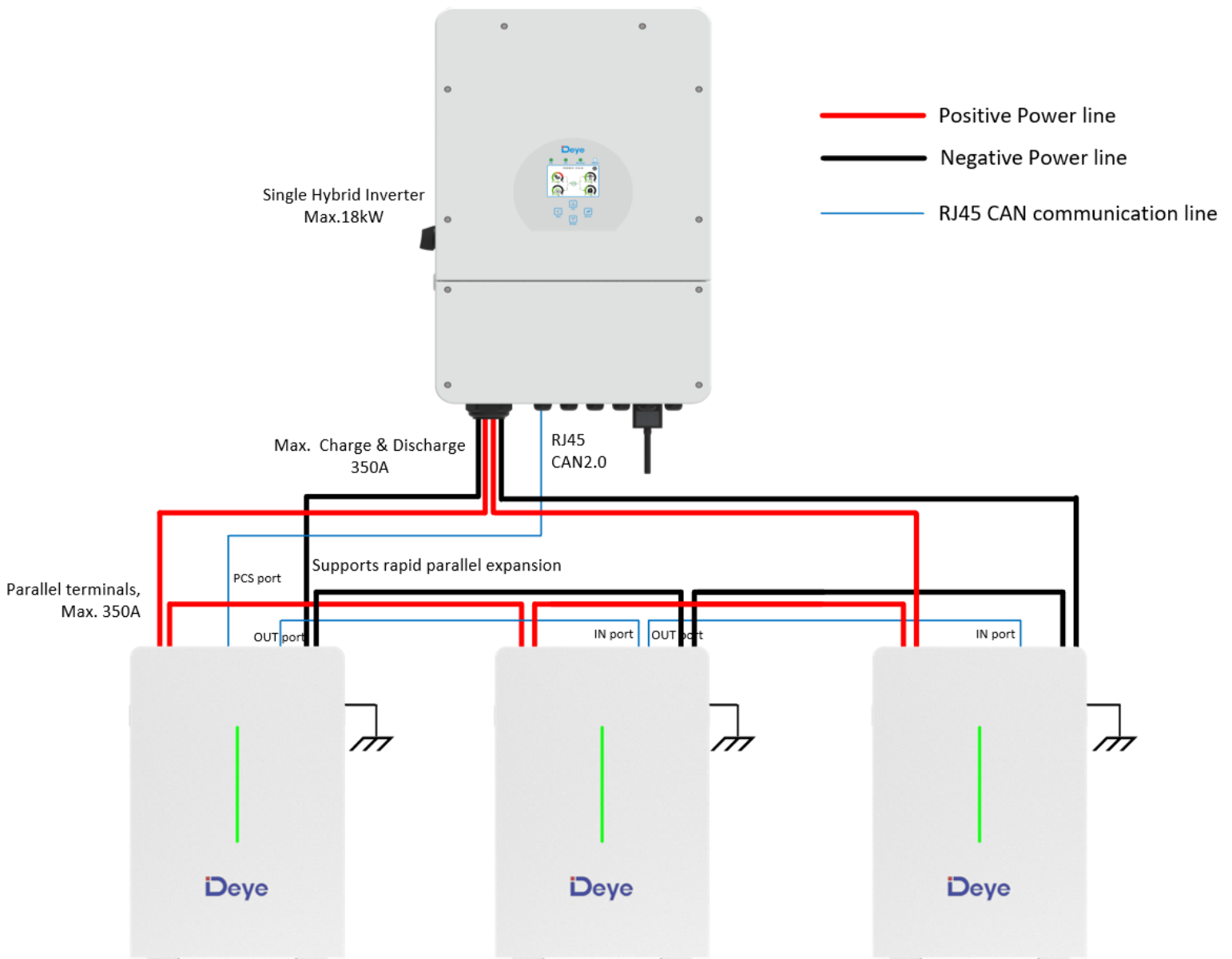


Front view

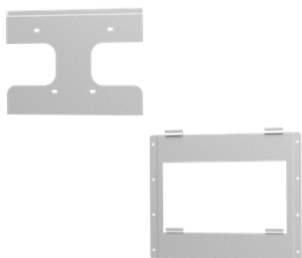


Top view

System Topology Reference



Model	Accessories Parts Description	Remark
RW-F10.6-Hanging Board	Battery Hanging Board (Included)	Used for battery fixing on the wall
RW-F10.6-PCable	Hybrid inverter Cable (Included)	Battery power and communication cable connect with hybrid inverter
RW-F10.6-Fixed support	Fixed supports (Included)	When floor-mounted, fixing the battery to the wall
RW-F10.6-Base	Base (Included)	It has been installed on RW-F10.6.



Model: RW-F10.6-Hboard

Details: 3kg(Appr.)



Model: RW-F10.6-PCable1500

Details: Pair of 2/0AWG DC power cable (two end with M10 copper terminals) and RJ45 communication cable connect with hybrid inverter. The default length is 1500mm.



Model: RW-F10.6-Fixed support

Details: When floor-mounted, use these fixed supports to fixing the battery to the wall.



Model: RW-F10.6-Base

Details: It has been installed on RW-F10.6.